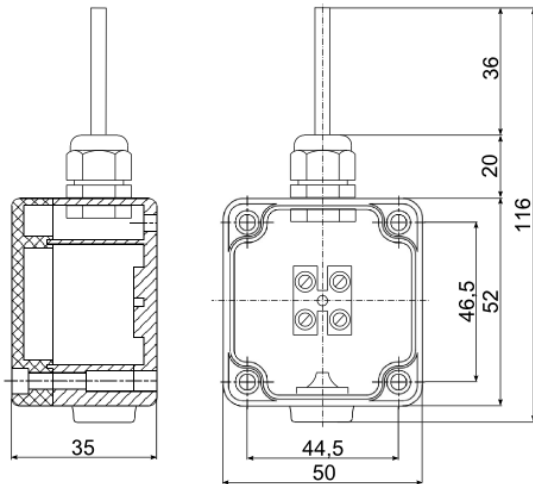


## NTC IP65 – WALL MOUNTED TEMPERATURE SENSOR

KK NTC IP65 10.14 EN

### MAIN DIMENSIONS



### GENERAL INFORMATION

Sensor provides local temperature measurement.  
 There is a possibility to connect it with RE thermostat.

### TECHNICAL DATA

IP / Isolation class	65
Operating temperature	from -40 to +125 °C
Resistance in 25 °C	10 000 Ω
Resistance tolerance in 25 °C	± 1%

### WIRING DIAGRAMS

